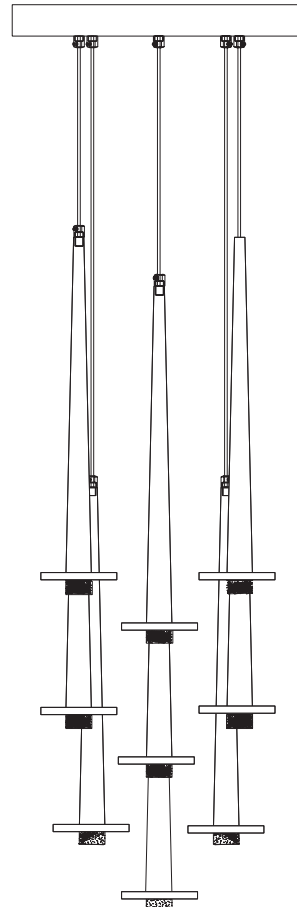
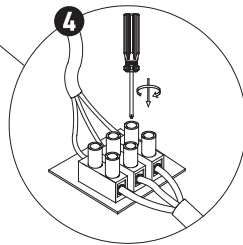
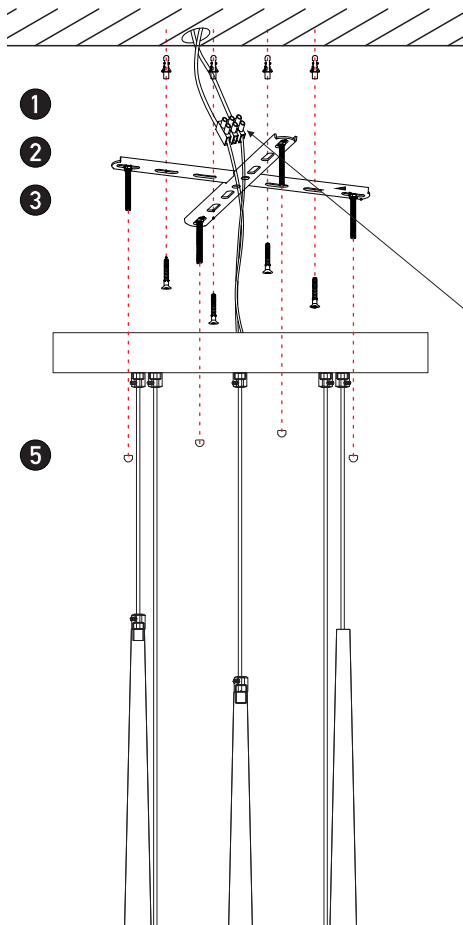




### Connecting the Terminal Block

Connect main supply (brown - Live, blue - Neutral) into terminal block making sure all connections are tight.



## PENDANT LIGHT

22113

Please read instructions before commencing installation and retain for future reference.

### SPECIFICATIONS

- **Material:** Metal + Aluminum + Acrylic + Marble
- **Lamp type:** LED , 27W , 3000K , 2772Lm , CRI90
- **Ingress Protection:** IP20. Protection against entry of solid objects greater than 12mm in diameter.

### INSTALLATION INSTRUCTIONS

Electrical products can cause death, injury, or damage to property. Maintenance and installation should only be carried out by a professional electrician.

- Ensure main supply is switched off.
- Insert the masonry plugs (1) into the mounting surface.
- Fit the mounting bracket (2) onto the mounting surface with the self-tapping screws (3).
- Connect main supply wires to terminal block (4) making sure all connections are tight.
- Fit the ceiling plate onto the mounting bracket with the nuts (5).
- Reconnect power.

### WARNING

- Make sure that the products is installed properly before connecting to electricity.
- Do not cover the fitting.
- Not for outdoor use or in wet conditions.



LED

CRI 90

IP 20

0,5m

